



Technical card

Veranda sunblind
VZ720

HAROL[®]

Summary

1. General	page 4
2. The profiles	page 4
3. Other components	page 6
4. Technical data	page 9
5. Weight	page 9
6. Operation	page 10
7. Fabric cover	page 10
8. Measuring and assembling	page 11
9. Colours	page 11
10. Fixings	page 11
11. Packing	page 11
12. Use and maintenance	page 11
13. Security	page 11
14. Order form Veranda sunblind VZ720	page 11

Harol reserves the right to make alterations of the product without prior notice.

1. General

The VZ720 veranda sunblind is specially designed for installation above the veranda. The advantage of this type of installation is that the rays of the sun which cause excessive heat within the conservatory area, are prevented from striking the glazing. The awning is rolled up in a roller box fixed to the side guides. These are attached to the conservatory mullions by means of a two-part system of fixing. There is an air space between the side guides and the awning. This is to ensure adequate ventilation for the area between the awning and the conservatory glazing. The system for attaching the sunblind side guides to the roof mullions is so designed as to enable an minor seating tolerances in the roof sections to be easily taken up. The entire system is made of non-corroding materials.

2. The profiles

2.1. Guides

- Material : extruded aluminium, powdercoated
- Colour : Consult the RAL colour chart.
- Two types :
 - * End guides : installed on outer sides, with a front rail slot on one side only
 - * Centre guides : installed centrally, with a front rail slot on either side.
- The profiles have a channel into which the bracket support pins fit
- Aluminium extrusions coated to match the frame

2.2. The roller

- Material : a welded tube, formed from a steel strip Sendzimir-galvanised, with a groove for attaching the fabric
- Function : rolling the blind fabric up and down.
- Diameters : $\varnothing 78 \times 1$ mm
 $\varnothing 85 \times 1,2$ mm (standard for widths over 4 m).

2.3. The Fabric Clip profile

- Material : consists of extruded PVC clips
- Function : attaching the fabric in the fabric slot without the use of screws, so that the fabric can be removed from the front instead of sliding off sideways
- Diameter of the PVC fabric retainer : $\varnothing 3$ mm
- Advantage : quick and easy fabric changing

2.4. The roller box

- Material : press formed from 1,2 mm thick pre-coated aluminium strip, and provided with a protective foil liner
- Colour : Consult the RAL colour chart.
- Dimension : 145 mm x 215 mm
- Consists of two sections :
 - * a removable chamfered upper section or cover
 - * a fix lower section
- An extra reinforcement support is fitted in the middle of each section

(Drawing: see page 6)

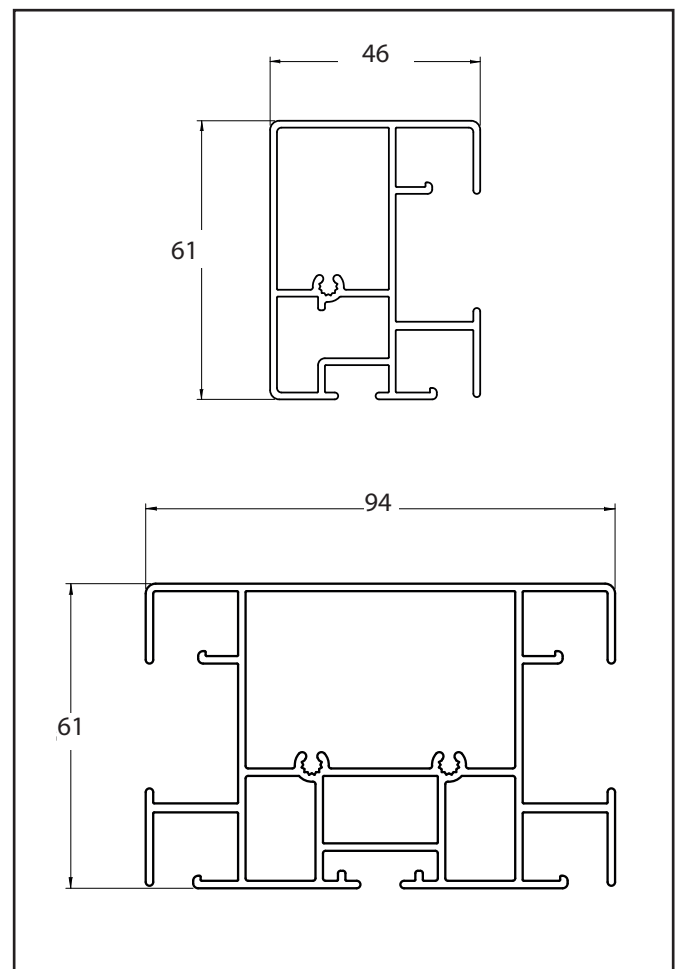


Fig. 1 : Guides

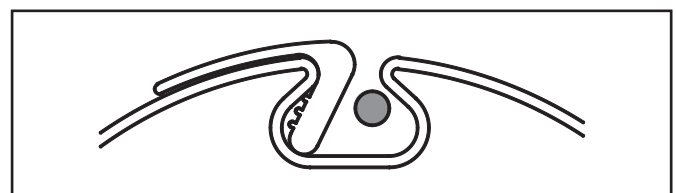
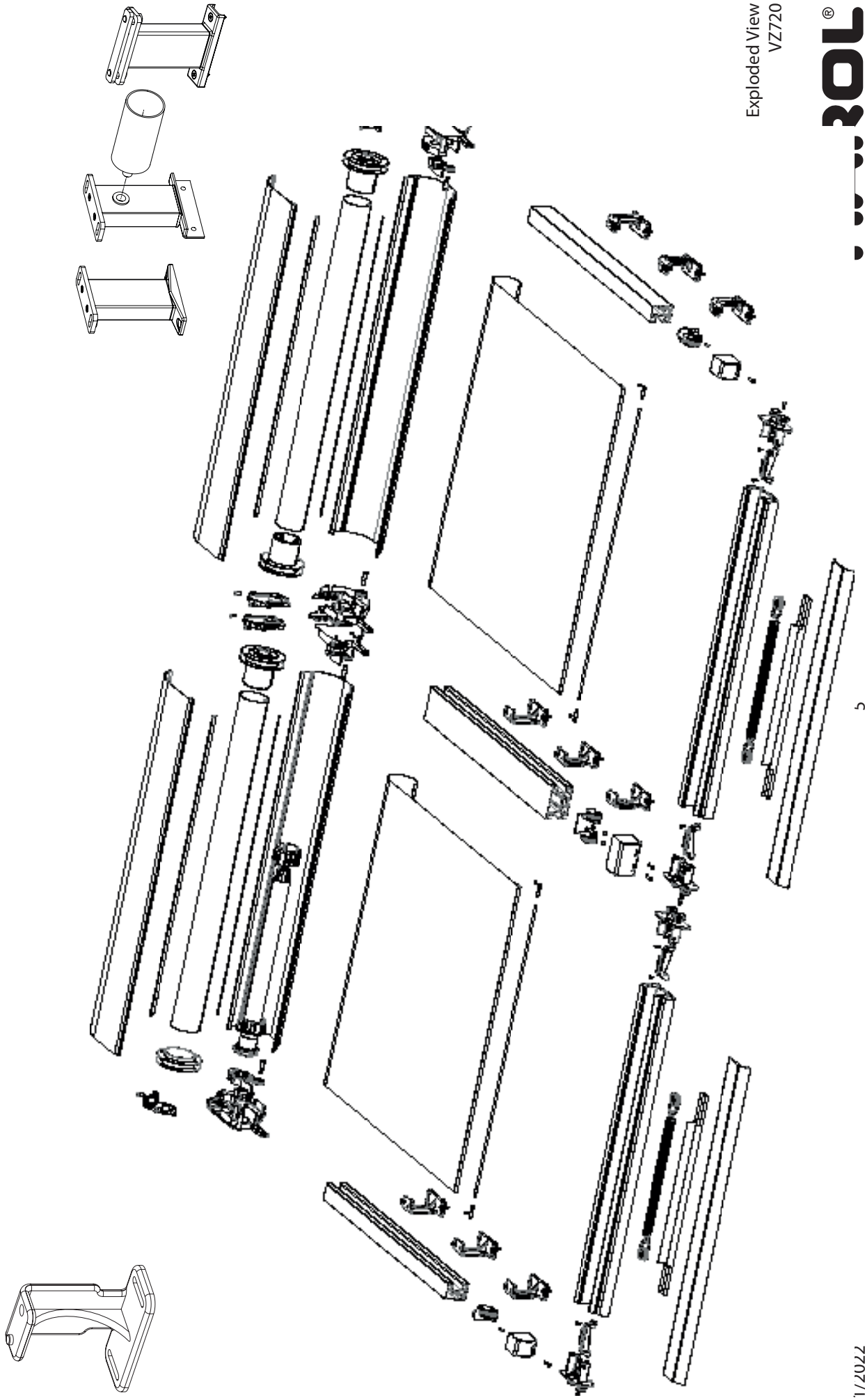


Fig. 2 : "Clip-on clip-off" profile

Technical data Veranda sunblind VZ720



Exploded View
VZ720

2.5. The Front Rail

- Material : extruded aluminium, powdercoated
- Colour : Consult the RAL colour chart.
- Function :
 - * The lower section : provided with 1 groove.
 - * The closing section : is clipped to the lower section
 - * This profile runs along the slots in the side guides

2.6. The Intermediate roll for the inclined surface

- Material : extruded aluminium tube $\text{\O}50 \text{ mm} \times 2 \text{ mm}$ wall-thickness, powdercoated
- Function : Used to support the fabric on longer projections
 - * Over 5001 mm extension :
Included as standard and installed in the middle of the projection
 - * Projection smaller than 5000 mm :
Intermediate roll in option

3. Other components

3.1. The Consoles (or End Checks)

- Material : hydraulic cast aluminium
- Colour : Consult the RAL colour chart.
- Dimensions : 155 x 237 mm.

3.2. The Carriages

- Material : cast PVC (Luran)
- Colour : standard black
- Function :
 - * connection of front rail and side guides, fitted with two carriage wheels
 - * are mounted at the end of the front rail

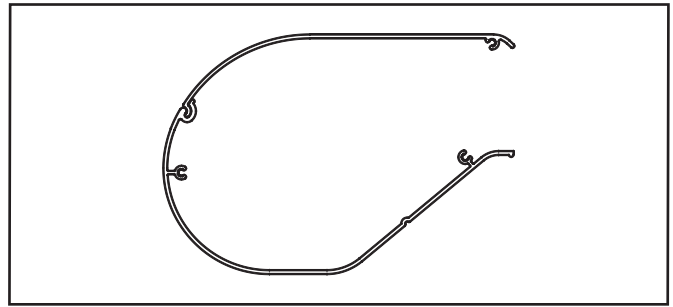


Fig. 3 : Box

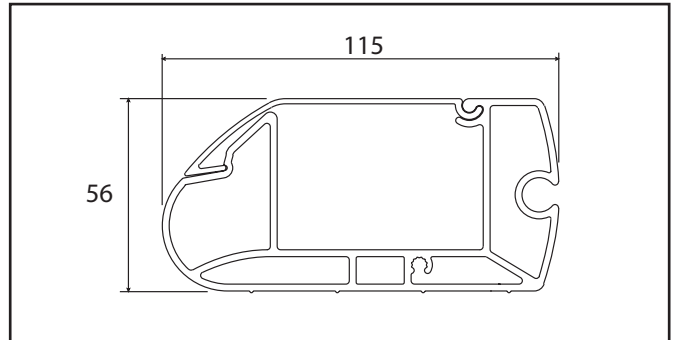


Fig. 4 : Front rail

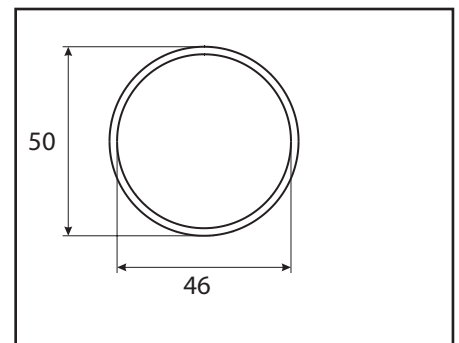


Fig. 5 : Intermediate roll

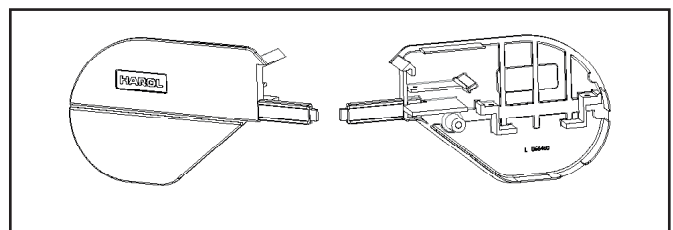


Fig. 6 : Consoles

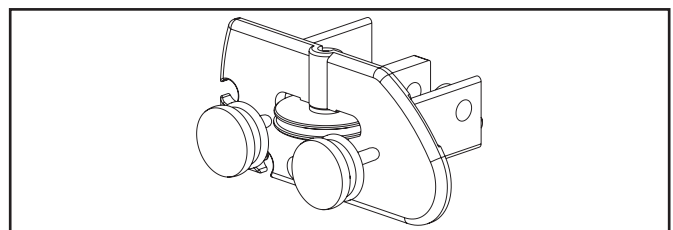


Fig. 7 : Carriage

3.3. The Tensioning System

- Material : the castors, axles, etc. are made of non-corroding materials
- Function : the entire fabric and front rail are kept under constant tension by means of a spring, a rope and a Ø2,5 mm cable

The constant spring tension ensures that the fabric remains taut in any position, to ensure adequate ventilation between the fabric and the glazing

3.4. Guide Fixing Brackets

Standard aluminium support A:

- Material : aluminium
- Colour : coated to match the frame
- Function : used for any type of glass-covered conservatory framework and for all wooden pergolas and veranda systems (for this see fig. 8)

The clearance between the guides and the mullions can be increased by means of extension points (see fig.)

Option:

The distance between the guides and the glass profiles can be enlarged by means of extended supports available in heights of 120 mm, 200 mm, 300 mm or 400 mm

- * Take into account that the verandaprofiles are under a higher load
- * They can only be used when there is no danger of them twisting

* The attachment system is in two parts :

- The upper part : Slides into the groove below the side and central guides

- The lower part, exists in two versions :

Higher attachment point - low profile A :

- For any type of glass-covered aluminium conservatory framework and for all wooden pergolas and veranda systems

- Is screwed on to the wood or into the groove at the top of the mullions through the capping section into which the rubber seal is fitted. (mounting A)

Higher attachment point - high profile B :

- For all types of conservatories with the glass beneath where the mullions have an extended leg above the glazing

- Is fixed to the mullion with two bolts. (mounting B)

Higher attachment point - low profile C :

- For any type of glass-covered aluminium conservatory framework and for all wooden pergolas and veranda systems

- Is screwed on to the wood or into the groove at the top of the mullions through the capping section into which the rubber seal is fitted. (mounting C)

- Additional fixing possibilities :

- * If fixing methods A or B are not possible, an option is to fix against a wall (fig. 10). For this, angled profiles can be used in combination with flat attachment points A
- * The upper- and lower part fixings are slotted to allow for any minor seating tolerances in the roof sections

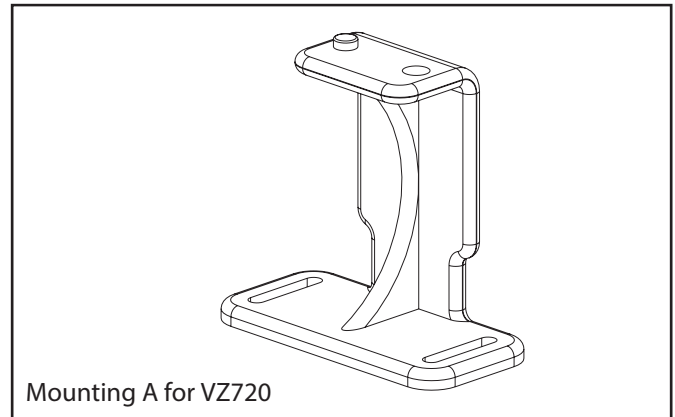


Fig. 8 : Standard aluminium support

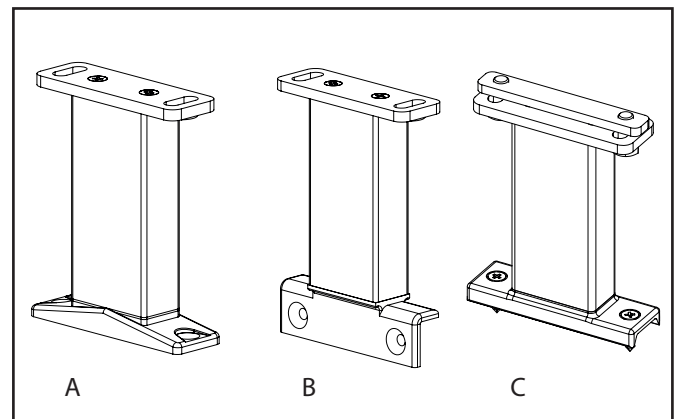


Fig. 9 : Higher attachment point

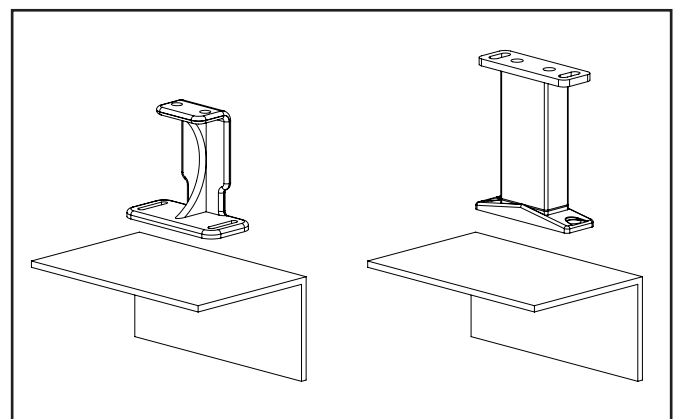


Fig. 10 : Mounting against the wal

Type	Maximum width in meters								Maximum surface	Number of elements	Number of motors
	1,5	3	4,5	5,5	6	11	16,5	22			
Type 1	1 part								25 m ²	1	1
Type 2					2 parts				50 m ²	2	1*
Type 3					3 parts				75 m ²	3	2
Type 4					4 parts				100 m ²	4	2

Table 1 : Technical possibilities

(*)= also possible with 2 motors

3.5. Coupling Two Side Guides

To connect 2 veranda sunblinds, coupling parts are available

There are two options :

* The coupling plate :

- Material : Aluminium.

- Function :

- * The plate is placed underneath the 2 lateral guides. In the plate there are 4 holes provided for the screws. The screws glide into the groove of the guides (2 per guide) and so the plate is screwed down. In the middle of the plate there are holes provided for the fixation of the attachment point.

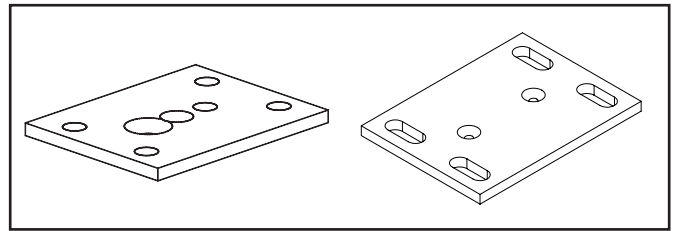


Fig. 11 & 12 : Coupling plates

There is 1 sets, which can be ordered as an option.

- Consists of :

One coupling plate for standard bracket and one for raised bracket and the attachment means.

- Function :

- * When the standard attachment point is mounted in the middle
- * When using the extended attachment point, the profile higher attachment point is directly fixed to the coupling plate. In that case, the upper part of the attachment point will not be used
- * When the attachment point is directly mounted to the left or right guide, the coupling will be done by mounting the plate behind the attachment point.

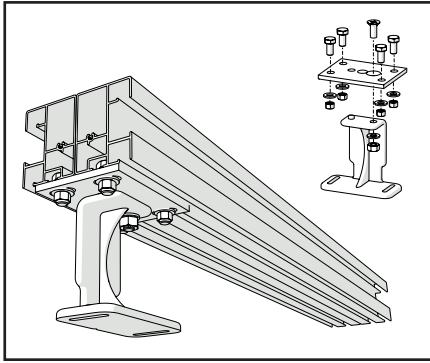


Fig. 13: placement standard support VZ720 in the middle

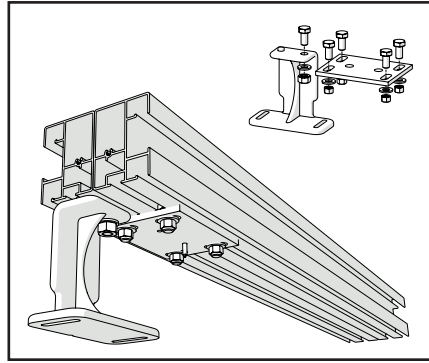


Fig. 14: placement support under left or right hand guide

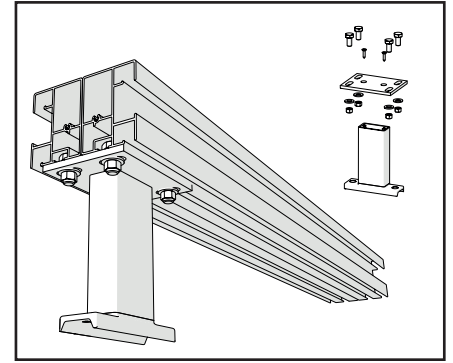


Fig. 15: placement increased support in the middle

4. Technical data

- Minimum width per blind : 1,5 m
- Maximum width per section : 5 m
- Maximum projection : 6 m
- Maximum fabric area : 25 m²
- Operating temperatures minimum 0°C and maximum 70°C

The different (box) sections are packed separately for connection on site.
Bend only implementable with type 1

5. Weight

The approaching weight = Width X 18 kg per meter (width)

6. Operation

6.1. Motor operation

- The standard motor is the Sunea IO motor, without push buttons and controlled with an IO transmitter.
 - IO transmitter.
 - 5m electric cable.
- Option:
 - without IO wall transmitter.
 - electric cable 10m instead of 5m.
 - other types of motors : Orea RTS - Orea WT

Prod. Type	MOTORTYPE	OPTION	SURCHARGE	CABLE LENGTHS		
				3M	5M	10M
VZ720	Sunea IO	A1281	-	-	S	X
	Orrea RTS	A1076	-	-	S	X*
	Orea WT	A2619	Minus price	S	X	X**

S: Standard X: Option
*: Without RTS wall transmitter
**: Without surface mounted switch

6.2. Automation

- Accessories :
 - * Relay boxes
 - * Wind-and-Solar control
 - * Time switches
 - * Remote control

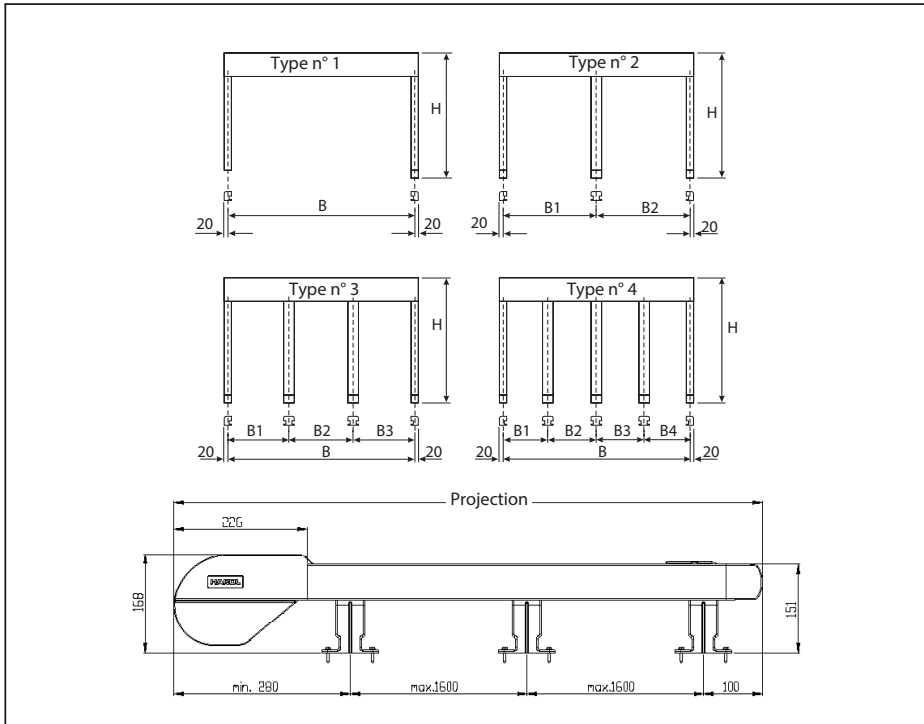


Fig. 16 : Measuring and assembly

7. Fabric cover

Choice between two qualities :

7.1. Acrylic

- Composition : Spun dyed Acrylic fibre coloured in the mass
- Colour : Patterns and colours from the standard collection
- Weight : +/- 290-300 gr./m²
- Thickness : +/- 0,5 mm
- Confection : Patterned in vertical rows of 1200 mm, side hems of 10mm width, double step stitch with polyester thread
- The fabrics are treated for rot and mould, and have waterproof and dirt-repelling qualities

7.2. Soltis

- Composition : Polyester threads, enclosed at both sides with PVC
- Colour : A range of solid colours from the standard collection
- Weight : +/- 330-350 gr./m²
- Thickness : +/- 0,4-0,45 mm
- Confection : Patterned in vertical rows of 885 mm, side hems of 40 mm width, welded
- The fabrics have excellent ventilation qualities, provide an outward view and are very easily cleaned

Due to the tension on the fabric, a cracking sound may be emitted during extending and retracting the awning.
Causes:

1. air being squeezed out from between the layers of fabric
2. the cord jumping on the pulley

8. Measuring and assembling

8.1. Guidance for correctly measuring awnings

- The total width = centre of side guide to centre of side guide. The outside of the box is always 40mm (2x20mm) larger than the middle of the guide rail or the middle of the attachment points
- The projection : measured from the back of the roller box at the top against the wall to the front of the guide, included the cover
- Attention : the extension pole always stops before the covering cap, this means at minimum 63mm of the end of the guide rail
- Note : the width of the roller box is always 40 mm more than the over-all width of the blind. (see figure 14 page 9)

8.2. The assembly

- Check the attachment points (item 3.4).
Attention : The maximum distance between two attachment points of a guide is 1600 mm.
The maximum overhang beyond the glazing is 500 mm.

9. Colours

Consult the RAL colour chart.

10. Fixings

All fixings are of stainless steel and always included

11. Packing

The sunblinds are totally wrapped in solid carton

12. Use and maintenance

Regular use and maintenance greatly increase the life of the sun awning

- Do not use the awning as a rain or wind awning
- Regular maintenance of the awning prevents unnecessary wear or problems with the function
- Cleaning of the frame : use warm water with a light detergent instead of abrasive substances (to prevent damage to the coatings and protective layers)
- Cleaning of the fabric : dry with a stiff brush
- Stubborn stains : a warm water and light detergent solution, rinse with copious amounts of clean water
- Let the awning dry fully before rolling it up (even after an unforeseen rain shower)

13. Security

For a secure installation it is recommended to mount the awning in accordance with the fitting instructions

14. Order form

Click on the link below:

[Order form Veranda sunblind VZ720](#)

